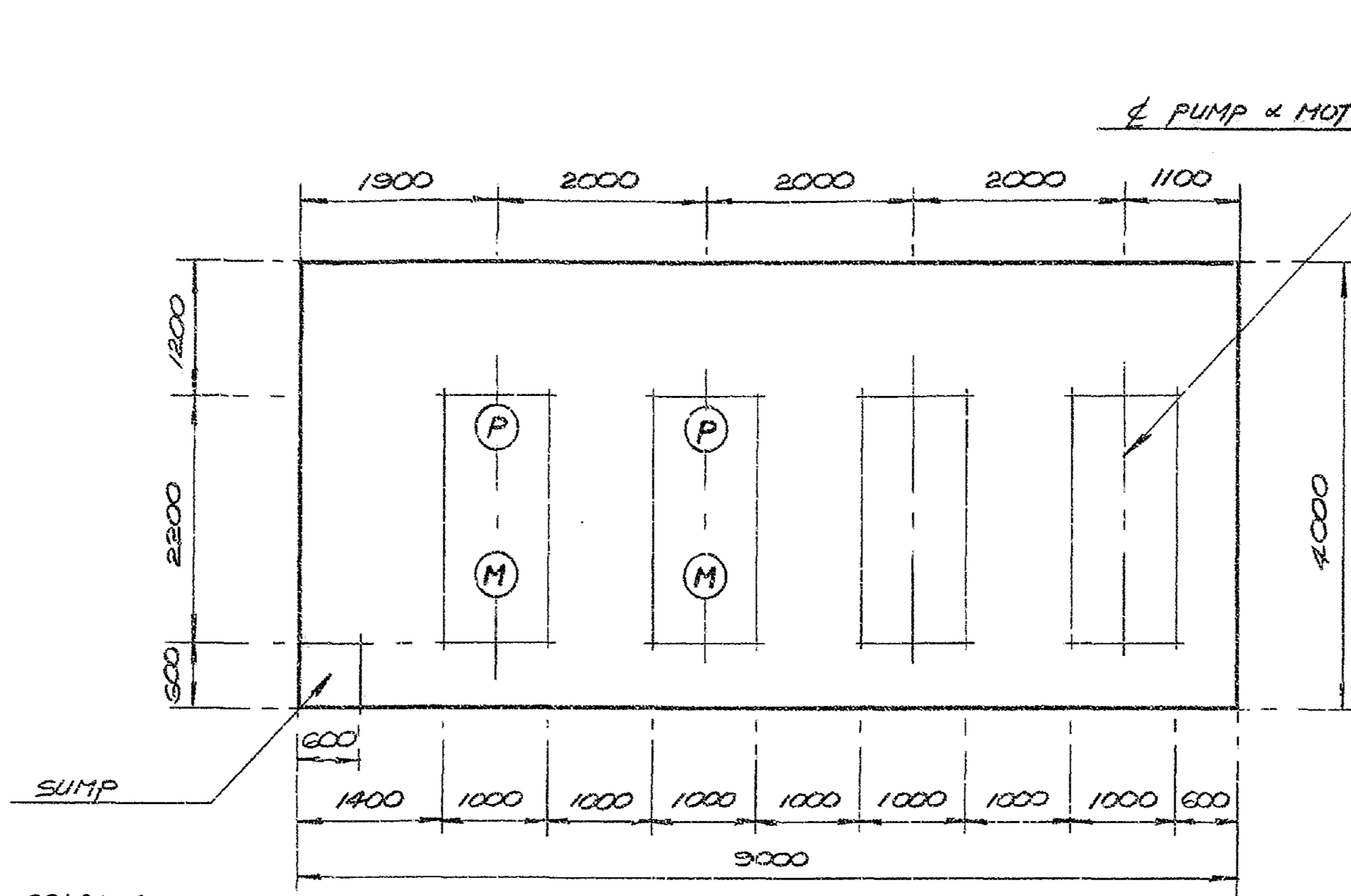
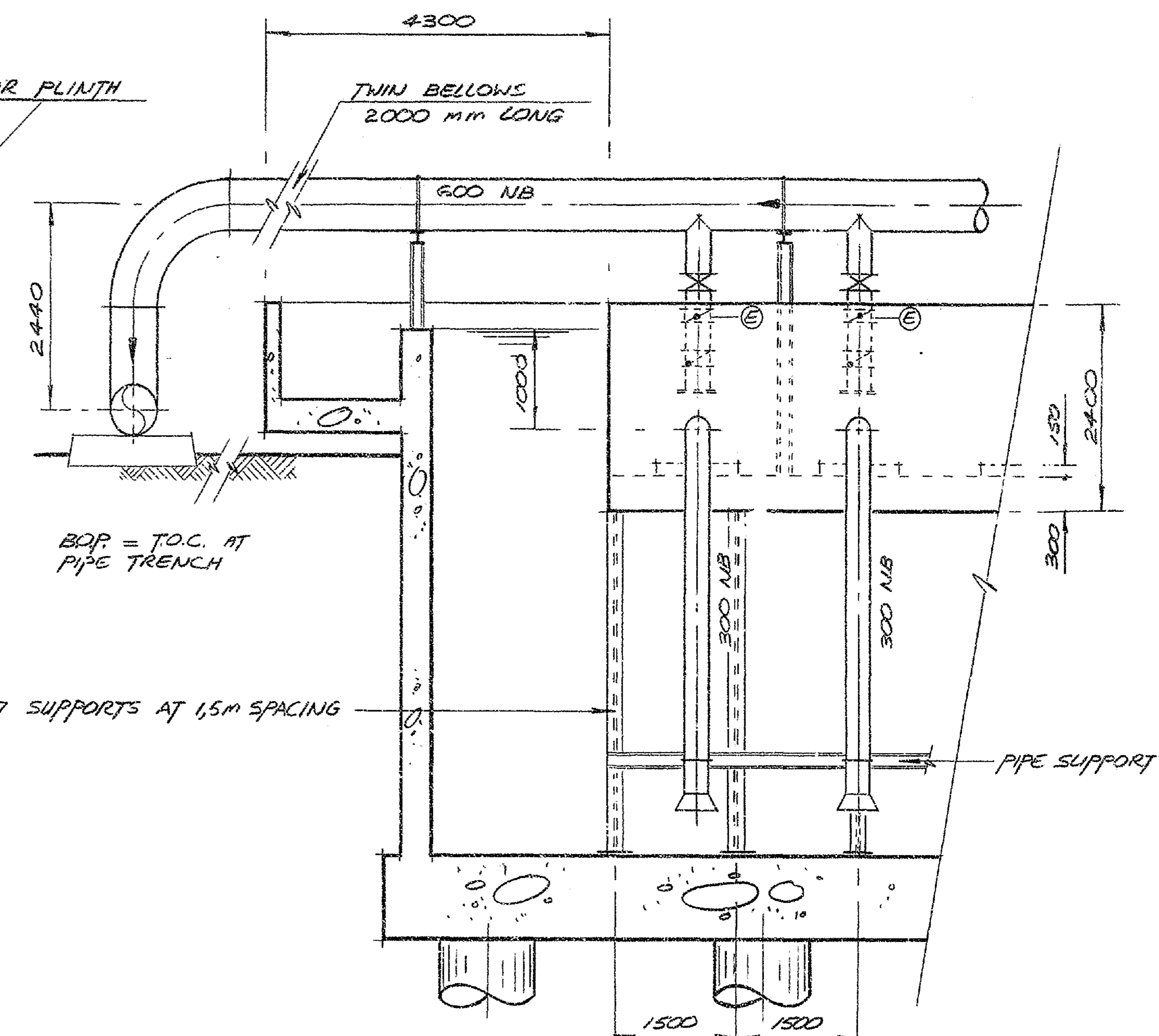


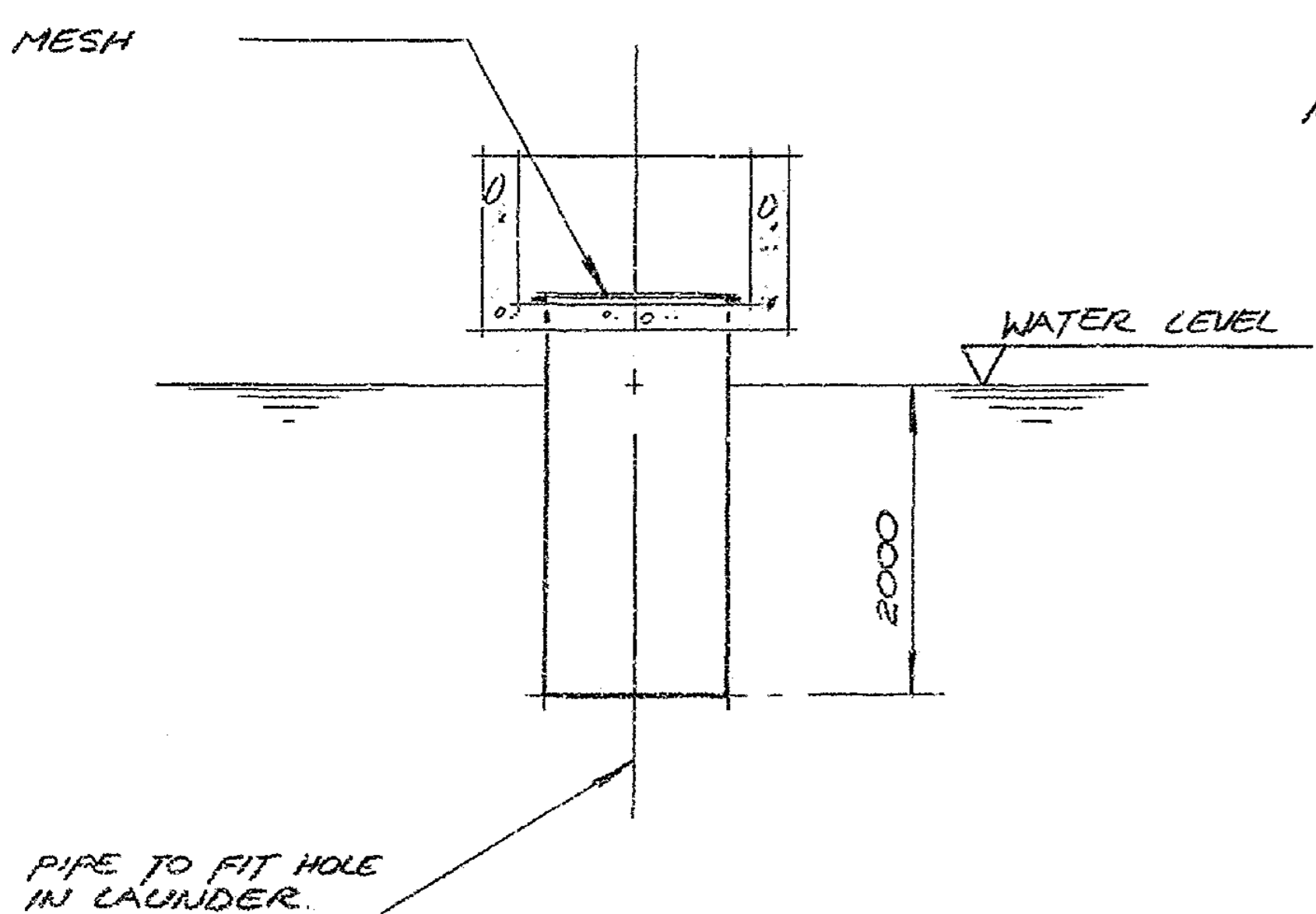
SECTION B:B
SCALE 1:50



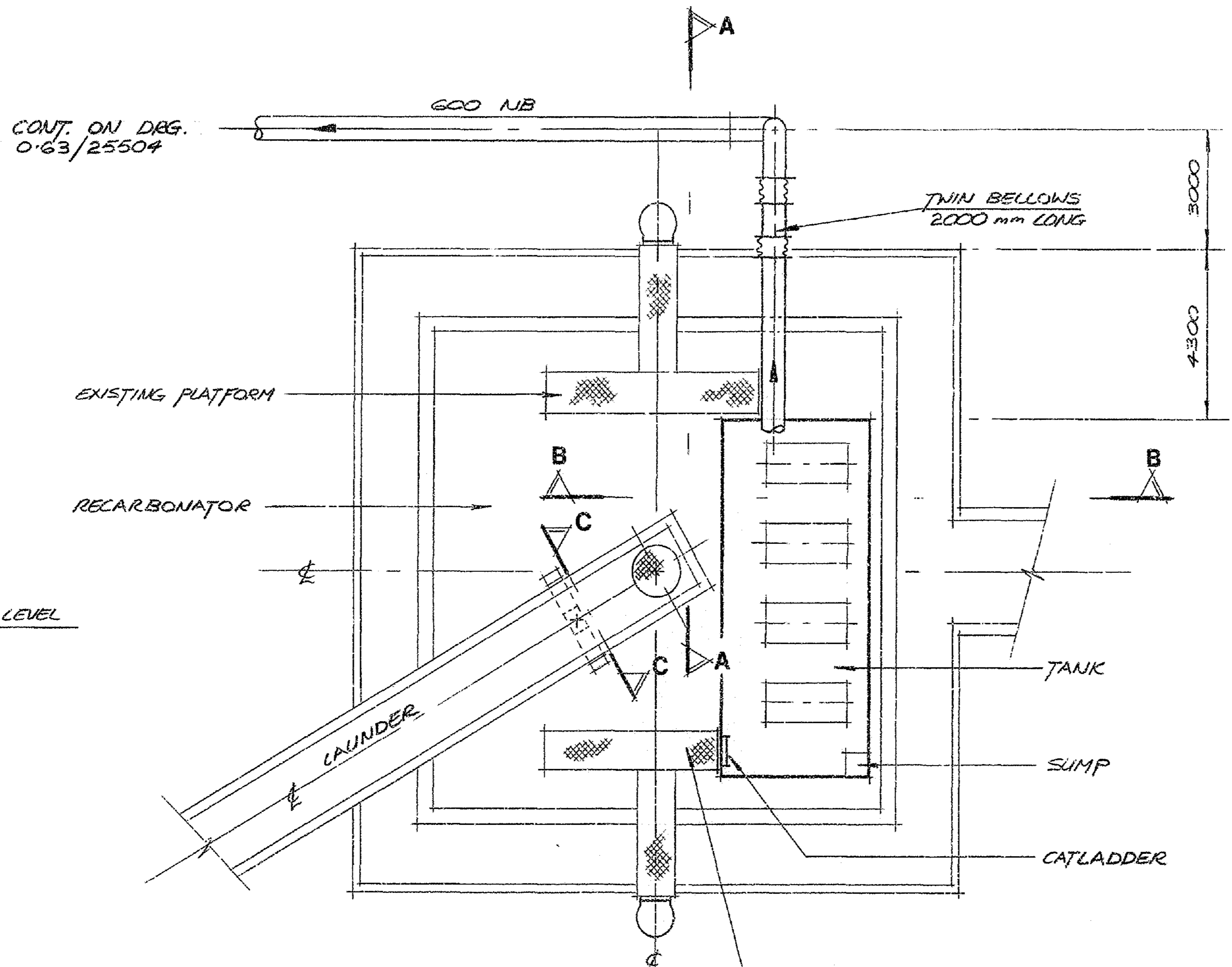
TANK PLAN
SCALE 1:50



SECTION A:A
SCALE 1:50



SECTION C:C
SCALE 1:50



LOCALITY PLAN
SCALE 1:100

**THIS DRAWING SHOULD BE READ
IN CONJUNCTION WITH DRG. NO
0-63/25502**

0		FIRST ISSUE / EERSTE UITREIKING		11083 CONCF. DETAILS	
REV	AUTH	DATE	REVISIONS/REVISED	BY	CHKD
	MAG	DATUM	INDEX/INDERS	DEUR	RAGES
DRG. TITEL			REFERENCE DRAWINGS		
REGISTER			VERWYSINGS/STREKENING		
SOUTH AFRICA					
ESKOM • EVKOM					
LETHABO POWER STATION					
C.W. TRANSFER SYSTEM					
PUMPING ARRANGMENT AT					
RECARBONATORS					
SUID AFRIKA					
DRAWN		APPROVED		GOEDGEKEUR	
GEBREK		T.S.		22.1.57	
SCALE		1:100, 1:50		0-63/25505	
				REV	
				0	